

EAST LINEAR

Pull-Down Kitchen Faucet **1500-5113**

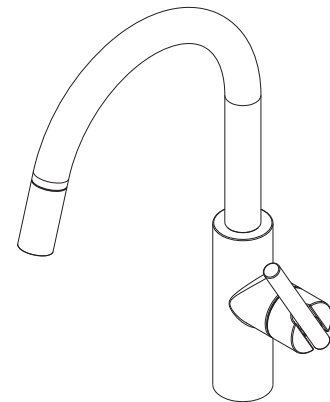
Features

- Solid brass construction
- Euro-motion ceramic disc 35 mm valve cartridge
- Swivel spout assembly with side-mounted ADA compliant lever handle
- Independent rotational and pivoting lever handle elements
- Two-function, push-button control spray engine with solid brass housing
- Magnetic docking system secures spray engine to spout
- Pivoting-ball spray engine inlet fitting for enhanced directional control
- 9-7/8" (25.1 cm) spout height at outlet
- 9-1/4" (23.5 cm) spout reach (c-c)
- For single hole configurations
- 1.8 gallons (6.8 liters) per minute maximum flow rate

Codes / Standards Compliance

Meets or exceeds the following at date of manufacture:

- ASME A112.18.1/CSA B125.1
- IAPMO/cUPC
- IPC
- NSF 61
- ADA
- ICC/ANSI A117.1
- Energy Policy Act of 1992
- All applicable US Federal and State material regulations



Colors / Finishes

- 10B: Oil Rubbed Bronze
- 15: Polished Nickel
- 15S: Satin Nickel
- 26: Polished Chrome
- Other: Refer to the Newport Brass catalog for additional color/finish options.

Specified Model

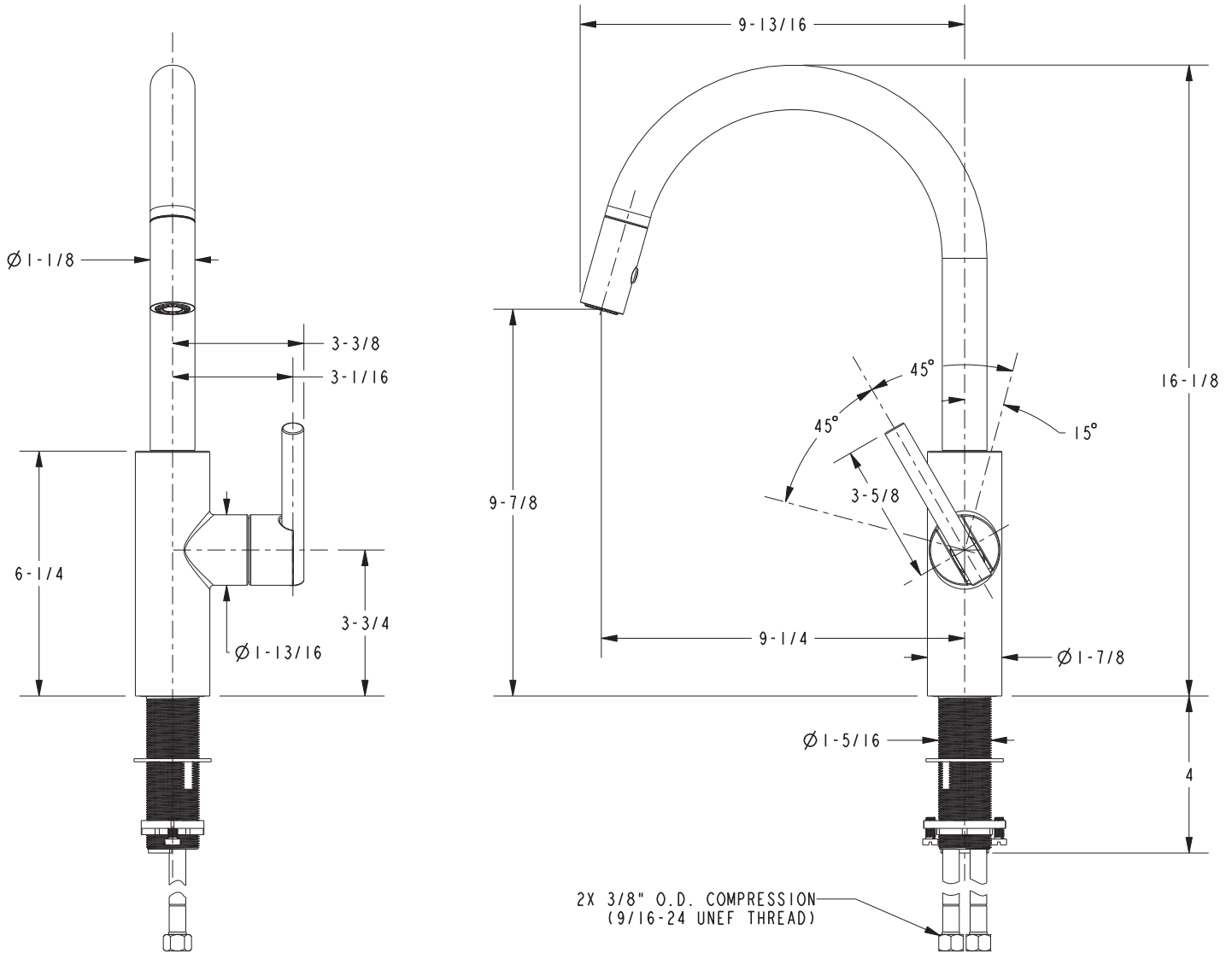
Model	Description	Colors Finishes				
1500-5113	Pull-Down Kitchen Faucet	<input type="checkbox"/> 10B	<input type="checkbox"/> 15	<input type="checkbox"/> 15S	<input type="checkbox"/> 26	<input type="checkbox"/> Other

Product Specification Add "Color / Finish" suffix to Model number, below.

The Pull-down Kitchen Faucet shall be made of solid brass construction and incorporate a Euro-motion ceramic disc 35 mm valve cartridge. Faucet shall incorporate a swivel spout assembly with side-mounted ADA compliant lever handle. Lever handle shall feature independent rotational and pivoting handle elements for dynamic stabilization. Faucet shall incorporate a two-function, toggle-control spray engine with solid brass housing and a magnetic docking system securing the spray engine to the spout. Faucet shall feature a pivoting-ball inlet connection to the spray engine for enhanced directional spray control. Product shall incorporate a 9-7/8" (25.1 cm) spout height at outlet and a 9-1/4" (23.5 cm) spout reach (c-c). Faucet shall have a 1.8 gallons (6.8 liters) per minute maximum flow rate and accommodate single hole configurations. Pull-down Kitchen Faucet shall be Newport Brass Model 1500-5113/_____.

1500-5113

PRODUCT DIMENSIONS *(Units are in inches)*



East Linear Pull-Down Kitchen Faucet 1500-5113